

Cooker hob KE

Gas hobs

Code: 7602 032



DETAILS

Type	Gas Hob
Heating element	Five burners
Material	AISI 304 stainless steel
Texture	Brushed in line
Finish	Foster brushed
Edge/Installation Type	Standard (8 mm Edge)
Base size	75 cm*
Width	79 cm
Dimensions	790 x 500 mm

Built-in hole 750 x 480 mm

Supply 220-240 V; 50/60 Hz

Total power 9.500 W

Auxiliary 2 x 1.100 W

Semirapid 2 x 1.750 W

Triple crown 3.800 W

Gas type Tested for installation with natural gas, LPG nozzle set included.

Ignition Electric ignition under knob

Safety Safety valve with quick-acting thermocouple

Grids Cast iron grids and enamelled burner covers

Notes: *Can be installed on 75 cm cabinet and and worktops maximum 12 mm thick

FEATURES

Cast iron grids Cast-iron is the ideal material for an hob grid, this due to the manifold properties characterising it: high heat capacity that improves cooking performance; high weight and stability that improve safety; sturdiness that preserves the hob's original aspect over time; easy cleaning.

III[^] series burners III[^] series burners: 20% gas savings. They guarantee an efficiency well above the European standards. Furthermore, the improved combustion of gas allows the development of higher powers. From the point of view of safety, the blocking system between the cover and the flame-spreader guarantees perfect positioning and greater ease of cleaning.

Inclined recess

A deep and inclined recess houses the burners and grigs, allowing to create a single work surface. The inclination also makes it extremely easy to clean the edges.

Safe cooking

All Foster cooker hobs are equipped with safety valves. They shut off the gas supply very quickly if the flame accidentally goes out.

Special burners

Many Foster hobs are equipped with special burners, with two or three rings of fire that greatly increase the power delivered and the heated surface. In the DUAL models the two fire crowns also have independent ignition, making these burners perfect for both intensive and delicate cooking.

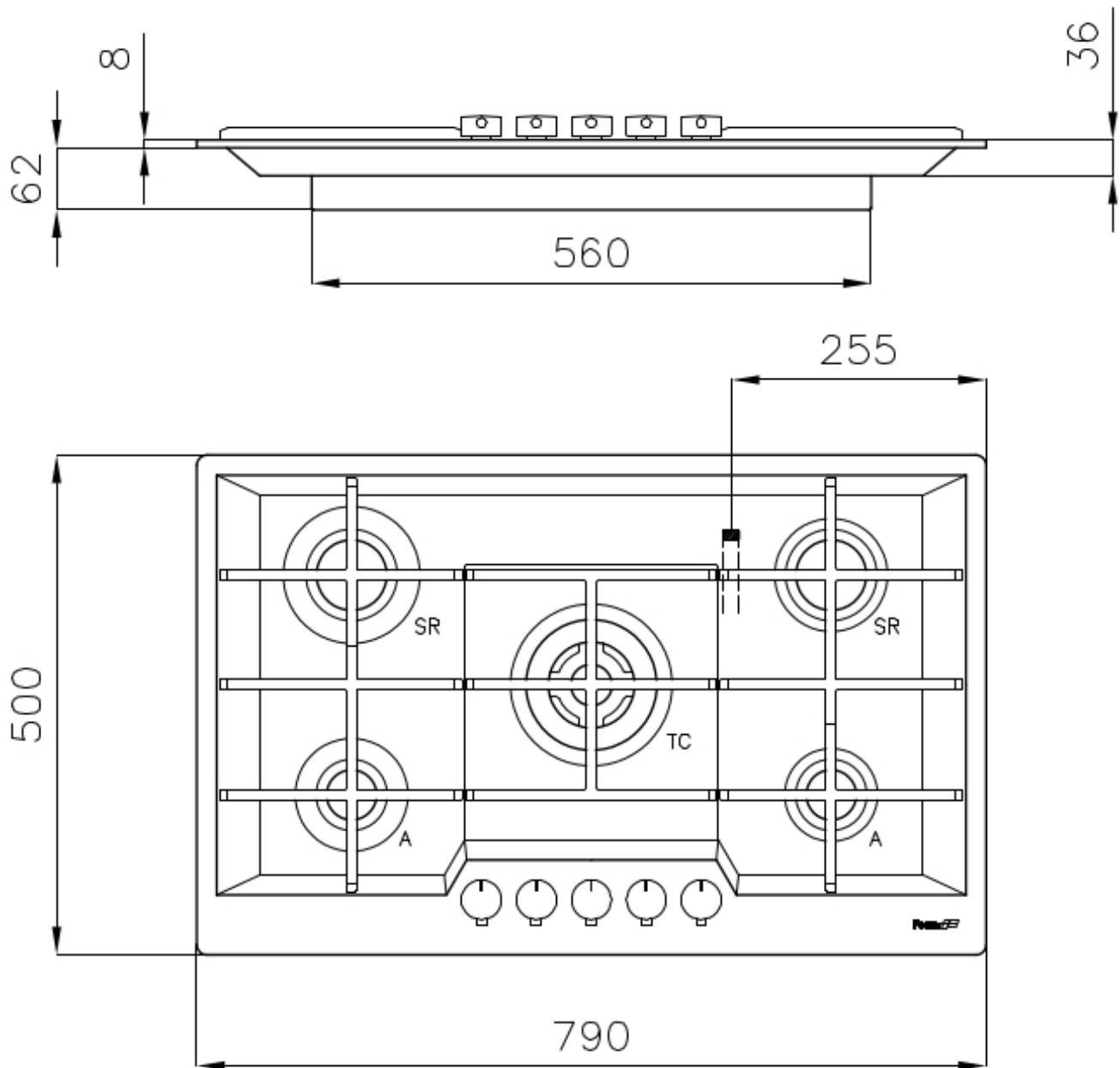
Ultra-flat hob

Design meets functionality in the the ultra-flat models. Elegant grids that form a generously sized overall surface.

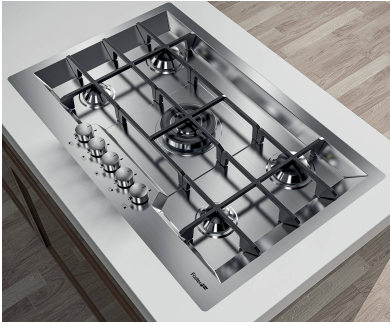
Under-knob ignition

The utmost freedom of movement with electronic under-knob ignition, a common feature of all models that allows a one-hand ignition of the burner.

TECHNICAL DATA



GALLERY



OPTIONAL ACCESSORIES

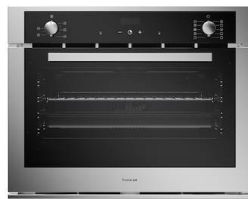


Cast iron wok support
9601 727

RECOMMENDED PAIRINGS



Sink S4001
3138 850



Oven KE 75
7137 000



Hood New Wing
2512 072